



CATALOGUE

COUPLINGS

IS : 5382



CML

7995718

**RINGS &
GASKETS
AS PER
IS 5382
TYPE I TO V**

WE ARE CERTIFIED FOR QUALITY MANAGEMENT SYSTEMS

ISO
9001

IATF
16949
for
AUTOMOTIVE

ISO
14001
for
ENVIRONMENT

ISO
45001 : 2018
for HEALTH
& SAFETY

**Our Products are
Compliant with
European Standards
REACH & RoHS**

ASHUTOSH RUBBER PVT. LTD.

MANUFACTURERS OF ALL TYPES OF RUBBER & TPE PRODUCTS

Company Profile

WE ARE

Ashutosh Rubber Pvt. Ltd. is engaged in manufacturing of a wide range of Rubber & TPE (Thermoplastic Elastomer) products. We are an **ISO 9001:2015, IATF 16949:2016, AS 9100C:2009, OHSAS 18001:2007, ISO 14001:2015** certified company by TUV SUD, and accredited with ISI certification under Bureau of Indian Standard **IS 5382** and a Performance & Credit Rated Company by CRISIL (A standard & Poor's company) with a rating assigned at **SE 2A** (High Performance Capability & High Financial Strength) and also having D&B D-U-N-S certificate (**D-U-N-S No. 86-255-7690**). Our Products are compliant with European Standards **RoHS & REACH. Water Regulations Advisory Scheme (WRAS) UK** material approval for BS 6920:2014 Rubber with Range of Shore Hardness 50 to 80 upto temperature of 70°C is in advanced stage of approval.

Presently we make more than 9000 different Rubber & TPE Moulded Products for varied applications. Our company uses modern manufacturing process by using **Desma Rubber Injection, Tung Yu, Plus - One Vacuum Moulding Machines and Windsor, PASL Windtech TPE Injection Moulding Machines**. We have been incorporated as a Private Limited company since 2007, being a part of the group which is in this business since 1987. The Company, over and above having modern rubber processing technology, has also modern facility to Process Soft PVC like TPE (Thermoplastic Elastomer).

The Company is a part of Ashutosh Group, another Company in the group being Ashutosh Financial Services Pvt. Ltd. is actively involved in providing wide range of financial services such as - Investment Advisory, Capital Advisory, Taxation and Allied Laws Advisory, Chartered Accountancy Services and NRI Services.

INFRASTRUCTURE

Unit No. 1 at Metoda is a facility manufacture Rubber Products which is spread across an area of more than 20,000 sq. ft. It has organized and modern facility to store raw material, carry out the entire manufacturing process, to store finished goods and to carry out all the quality controls with the help of fully equipped laboratory. Different divisions of the factory are computerized and are connected with a Local Area Network (LAN) for seamless exchange of data and information. Our office and factory is under round the clock Electronic Surveillance System which is regularly monitored.

Unit No.2 at Metoda has a fully equipped facility to make TPE (Thermo Plastic Elastomers) Products.

Unit No.3 at Aji is spread across an area of more than 10,000 sq.ft. The Aji Unit has Rubber Products manufacturing facility with modern infrastructure.

One of the most critical requirements of the business is the need for Dies, Tools and metal inserts for the Rubber Products manufactured by us.

Unit No.4 is the Tool Room of the company with most modern facility for Turning, Milling, Drilling, Shaping, Grinding, Planning, solely dedicated to the Dies, Tools, Metal inserts and maintenance needs of the company. This ensures quick and better quality control for the final product manufactured by the company.

Company has a landscaped garden with more than 1,000 trees making the environment in and around at all its factories soothing. The company has its own workers quarters for its workers nearby the factory which provides comfort of operation of running the plant round the clock. The company has a fully equipped administrative office in the business area of the Rajkot city to take care of the administrative and management needs of the company.

The Company has started regional office in emerging metropolitan city of Ahmedabad to reach out our national & international customers.

MODERN MANUFACTURING FACILITY



DESMA Rubber Injection Moulding Machine



WINDSOR & PASL Windtech, TPE Injection Moulding Machines



Full Fledged Laboratory

Infrastructure



UNIT NO. 1 METODA, GIDC



UNIT NO. 2 METODA, GIDC (TPE)



UNIT NO. 3 - AJI GIDC



UNIT NO. 4 - TOOL ROOM
Our own Tool Room facility for making Tools, Dies & Metal Inserts.



AHMEDABAD OFFICE



MARKETING - RAJKOT OFFICE

Our Team



MD & CEO - MR. RAJESH KOTHARI



JT. MD - MR. DAXESH KOTHARI



DIRECTOR - MR. ASHUTOSH KOTHARI

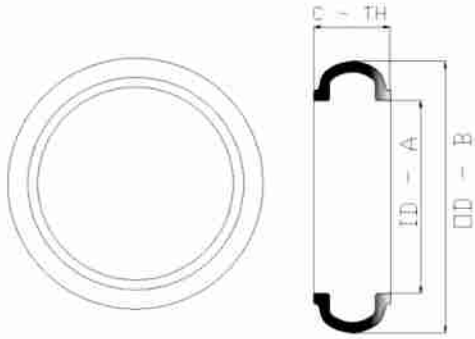


OUR TEAM AT UNIT NO. 1

MESSAGE FROM OUR TEAM

"We assure you Rubber and TPE products, at par with global standards, in our modern manufacturing facility, coupled with our versatile experience, gained over our long journey of 30 years."

Type Couplings With Canvas

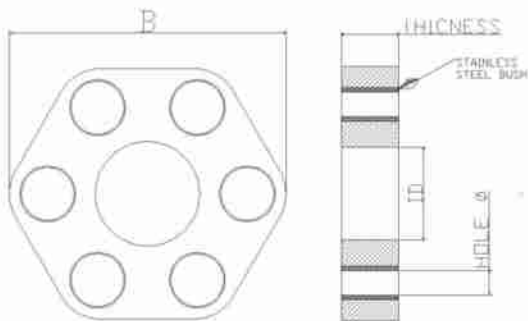


DIMENSION ARE IN MM



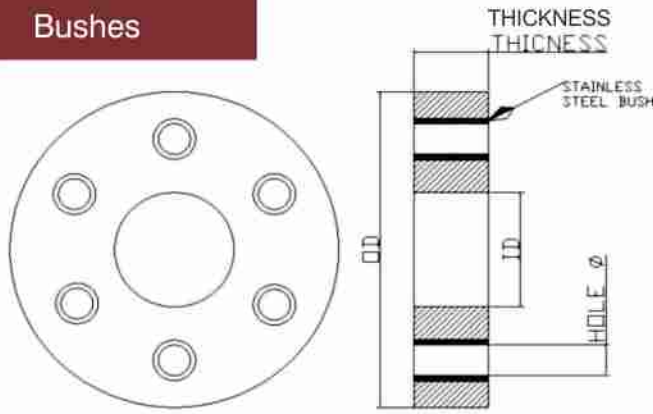
Sr. No.	Item Name	Code	ID	OD	Thickness	Polymers	Our Item No.
1	COUPLING WITH CANVAS	RF - 50	71	131	38	NATURAL	AP 3419
2	COUPLING WITH CANVAS	F - 50	90	136	46	NATURAL	AP 3059
3	COUPLING WITH CANVAS	F - 60	111	164	58	NATURAL	AP 3060
4	COUPLING WITH CANVAS	-	130	185	62	NATURAL	AP 3061
5	COUPLING WITH CANVAS	-	111	190	65	NATURAL	AP 765
6	COUPLING WITH CANVAS	-	116	189	56	NATURAL	AP 2670
7	COUPLING WITH CANVAS	F - 70	110	190	65	NATURAL	AP 3062
8	COUPLING WITH CANVAS	-	118	190	51	NATURAL	AP 3063
9	COUPLING WITH CANVAS	F - 80	134	210	74	NATURAL	AP 3064
10	COUPLING WITH CANVAS	F - 90	140	235	73	NATURAL	AP 3065
11	COUPLING WITH CANVAS	F - 100	171	255	82	NATURAL	AP 3066
12	COUPLING WITH CANVAS	F - 110	182	280	80	NATURAL	AP 3067
13	COUPLING WITH CANVAS	-	295	356	95	NATURAL	AP 3422

Hexagon Coupling With Metal Bushes



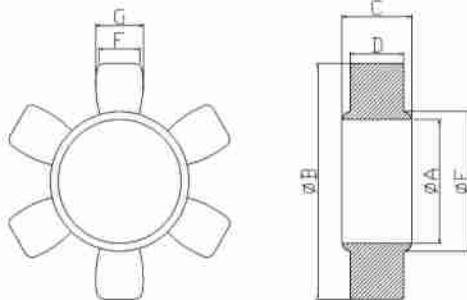
Sr. No.	Item Name	ID	B	Thickness	Hole Dia	No. of Holes	PCD	Polymers	Our Item No.
1	HEXAGON COUPLING WITH METAL BUSH - 6 HOLES	39.5	104.4	24	10.5	6	75.00	NATURAL	AP 3138 - A

Round Coupling With Metal Bushes



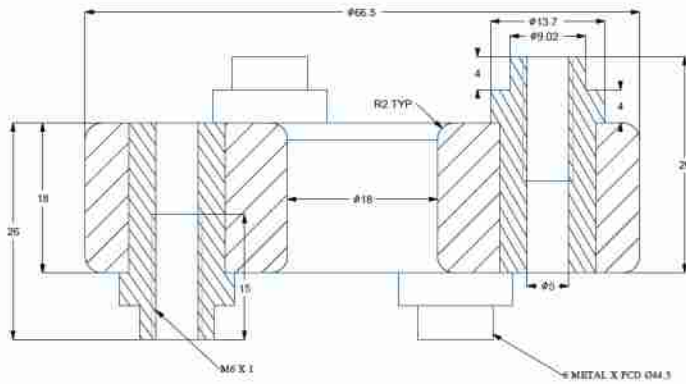
Sr. No.	Item Name	ID	B	Thickness	Holepcd	Polymers	Our Item No.
1	ROUND COUPLING WITH METAL BUSH - 6 HOLES	93	182	19	14 x 134	NATURAL	AP 1653
2	ROUND COUPLING WITH METAL BUSH - 6 HOLES	38.8	107	24	10.5 x 75	NATURAL	AP 3138-B
3	ROUND COUPLING WITH METAL BUSH - 6 HOLES	51	149	25	15 x 100	NATURAL	AP 3260
4	ROUND COUPLING WITH METAL BUSH - 6 HOLES	87	211	25	17 x 131 x 183	NATURAL	AP 3261
5	ROUND COUPLING WITH METAL BUSH - 6 HOLES	91	253	38	20.5 x 182	NATURAL	AP 3262
6	ROUND COUPLING WITH METAL BUSH - 6 HOLES	91	253	71	21 x 182	NATURAL	AP 3264
7	ROUND COUPLING WITH METAL BUSH - 6 HOLES	112	312	37.5	24.5 x 230	NATURAL	AP 3265

FRC-Type Coupling Rubber Element



Sr. No.	Item Name	A	B	C	D	E	F	G	Polymers	Our Item No.
1	STAR FRC - 70MM	31	59	17.5	13.5	35	11	12	NITRILE	L - 336
2	STAR FRC - 90MM	32	73.5	22.5	19	37.5	10	15	NITRILE	L - 337
3	STAR FRC - 110MM	45	96.5	28	23.5	51	12	20	NITRILE	L - 323
4	STAR FRC - 130MM	50	115	35	30	56	12	22	NITRILE	L - 324
5	STAR FRC - 150MM	62	132	38.5	32.5	68	18	26.5	NITRILE	L - 343
6	STAR FRC - 180MM	76.5	163	47	40	85	21.5	32	NITRILE	L - 338
7	STAR FRC - 230MM	100	205	57.5	49.5	108	25	39	NITRILE	L - 344
8	STAR FRC - 280MM	117	253	73	63.5	129	32	50.7	NITRILE	L - 325

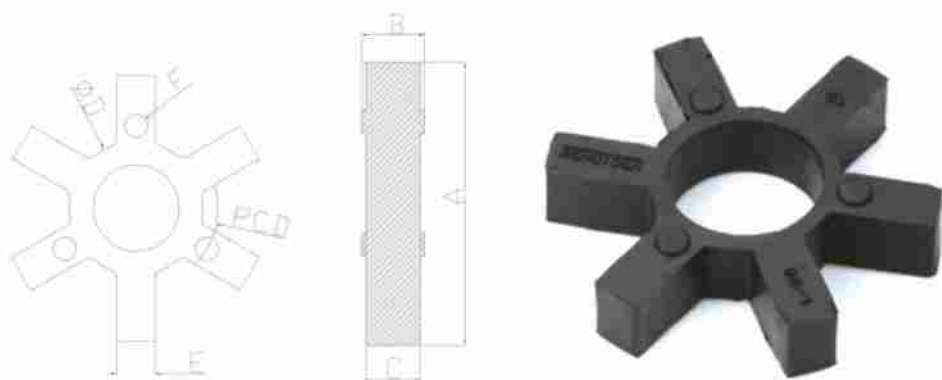
Round Coupling
With Metal
Bushes



Sr. No.	Item Name	ID	B	Thickness	Holexpcd	Polymers	Our Item No.
1	ROUND COUPLING WITH METAL BUSH	18	66.5	18	5 x 44.5	NATURAL	L971

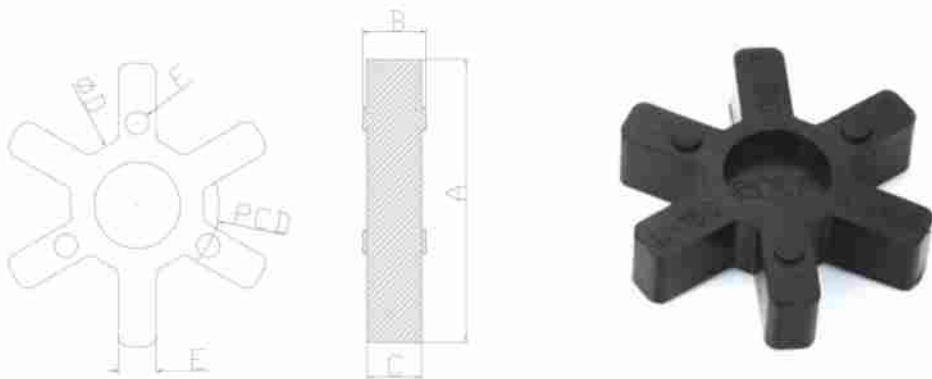


L-Type Coupling
Rubber Elements
Sharp Edge



Sr. No.	Item Name	A	B	C	D	E	F	G	Polymers	Our Item No.
1	STAR L - 35MM	15.4	6.7	-	6.25	5 x 4 Nos	-	-	NITRILE	L - 435
2	STAR L - 50MM	27.4	11.7	10.8	13.4	6 x 4 Nos	Ø 3.5 x 4	20	NITRILE	L - 433
3	STAR L - 70MM	34.2	12.5	11.6	17.5	6.9 x 4 Nos	Ø 3.8 x 4	22	NITRILE	L - 93
4	STAR L - 75MM	43.6	12.5	10.5	25	7 x 6 Nos	Ø 4 x 3	27	NITRILE	L - 94
5	STAR L - 90/95MM	53	13	12	27	9 x 6 Nos	Ø 4 x 3	34	NITRILE	L - 95
6	STAR L - 99MM/100MM	64	18.5	16.5	35	11 x 6 Nos	Ø 7 x 3	43	NITRILE	L - 96
7	STAR L - 110MM	83	22	19	44	11 x 6 Nos	Ø 7.5 x 3	54	NITRILE	L - 97
8	STAR L - 150MM	94	25	22.8	42	15 x 6 Nos	Ø 9 x 3	54	NITRILE	L - 98
9	STAR L - 190MM	112.8	25	22.5	53	15.5 x 6 Nos	Ø 9.5 x 3	64	NITRILE	L - 99
10	STAR L - 225MM	125	25	22.5	63	19 x 6 Nos	Ø 11.3 x 3	76.5	NITRILE	L - 100

L-Type Coupling
Rubber Elements
With Corner Radius



Sr. No.	Item Name	A	B	C	D	E	F	G	Polymers	Our Item No.
1	L030 NR JAW COUPLING ELEMENT	-	15.4	-	6.7	-	-	5	NITRILE	L - 334
2	L050 NR JAW COUPLING ELEMENT	27.4	11.7	10.8	13.4	6 x 4 Nos	Ø 3.5 x 4	20	NITRILE	L - 329
3	L070 NR JAW COUPLING ELEMENT	34.2	12.5	11.6	17.5	6.9 x 4 Nos	Ø 3.8 x 4	22	NITRILE	L - 334
4	L075 NR JAW COUPLING ELEMENT	43.6	12.5	10.5	25	7 x 6 Nos	Ø 4 x 3	27	NITRILE	L - 329
5	L090/095 NR JAW COUPLING ELEMENT	53	13	12	27	9 x 6 Nos	Ø 4 x 3	34	NITRILE	L - 335
6	L099/100 NR JAW COUPLING ELEMENT	64	18.5	16.5	35	11 x 6 Nos	Ø 7 x 3	43	NITRILE	L - 326
7	L110 NR JAW COUPLING ELEMENT	83	22	19	44	11 x 6 Nos	Ø 7.5 x 3	54	NITRILE	L - 330
8	L150 NR JAW COUPLING ELEMENT	94	25	22.8	42	15 x 6 Nos	Ø 9 x 3	54	NITRILE	L - 331
9	L190 NR JAW COUPLING ELEMENT	112.8	25	22.5	53	15.5 x 6 Nos	Ø 9.5 x 3	64	NITRILE	L - 332
10	L225 NR JAW COUPLING ELEMENT	125	25	22.5	63	19 x 6 Nos	Ø 11.3 x 3	76.5	NITRILE	L - 333

NOTE: ALL SIZE IN MM

OUR RUBBER PRODUCTS

We MANUFACTURE 9000 DIFFERENT RUBBER & TPE PRODUCTS FOR VARIED APPLICATIONS.



WE MAKE RUBBER & TPE PRODUCTS FOR THE FOLLOWING SEGMENTS

- ORIGINAL EQUIPMENT MANUFACTURER IN THE AUTOMOTIVE INDUSTRY
- ORIGINAL EQUIPMENT MANUFACTURER IN THE NON AUTOMOTIVE INDUSTRY
- AGRICULTURAL EQUIPMENTS INDUSTRY
- POWER TRANSMISSION INDUSTRY
- PIPE INDUSTRY
- CEMENT CONCRETE INDUSTRY
- PUMPS & FOOT VALVES INDUSTRY
- OIL ENGINE & GENERATORS INDUSTRY
- RUBBER ELECTRICAL INSULATORS INDUSTRY
- HYDRAULIC & PENUMATICS INDUSTRY
- ANTI VIBRATION MOUNTINGS
- O-RING BOXES
- INSTITUTIONAL PRODUCTS
- CUSTOM MADE RUBBER PRODUCTS

ASHUTOSH RUBBER PVT. LTD.

MANUFACTURERS OF ALL TYPES OF RUBBER & TPE PRODUCTS

Factory :

Unit 1,2515-2516, Lodhika GIDC Industrial Estate,
Inside First Gate, H1 Road, Metoda, Kalawad Road,
RAJKOT - 360 021. GUJARAT, INDIA.

+91-2827-287 827

info@ashutoshrubber.com

Marketing Department :

RAJKOT :

Marketing Manager

+91 937 722 9090

mktg@ashutoshrubber.com



24-07-2020